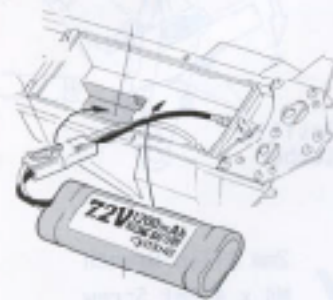


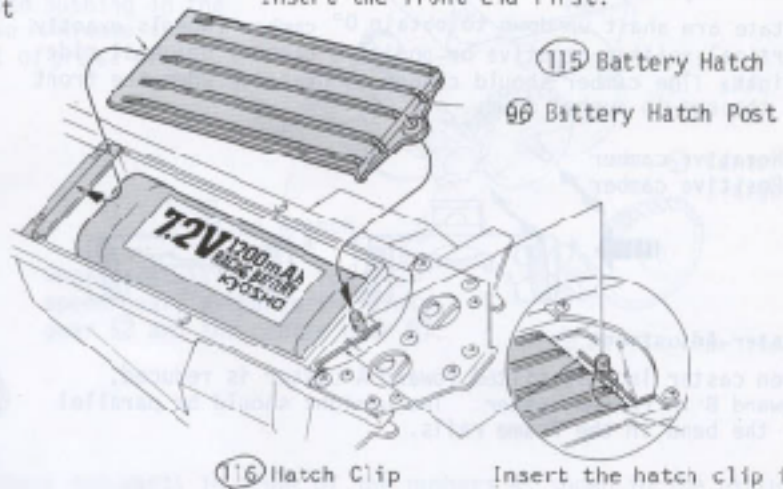
### 33 INSTALLING BATTERY

House the connector into the square well of the R/C unit box, then put the battery pack on it.



### 33 INSTALLING BATTERY

Insert the front end first.



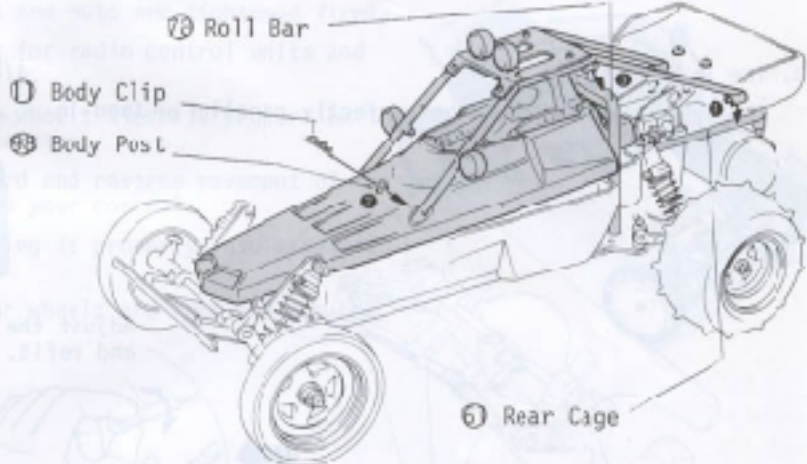
①①⑤ Battery Hatch

①①⑥ Battery Hatch Post

①①⑥ Hatch Clip

Insert the hatch clip into the notch on the hatch post in order to secure the hatch.

### 34 MOUNTING OF BODY



③ Roll Bar

① Body Clip

② Body Post

④ Rear Cage

### CHECK OF SPEED CONTROL OPERATION

\*Before running the car, check to see if the speed control works properly in relation to the movement of the servo, as shown in the illustration on the right.

\*If you find anything out of adjustment, correct it by shifting the connecting point of the speed controller rod into the one step outer or inner hole on the servo horn.

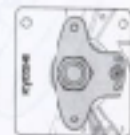
To increase the swing of the control wiper blade.

To decrease the swing of the control wiper blade.

Speed Controller Rod



Neutral



Low



Medium



Brake Black

High

